

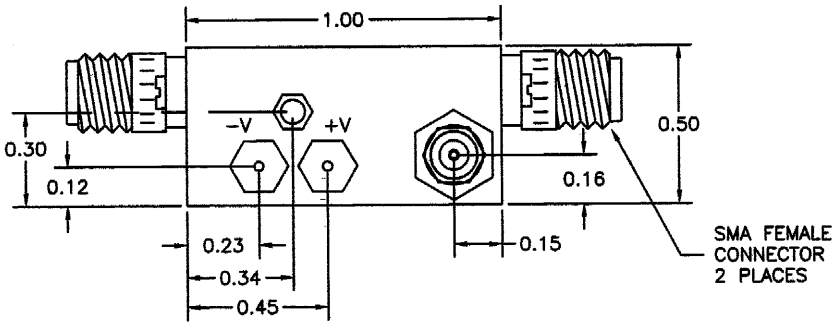
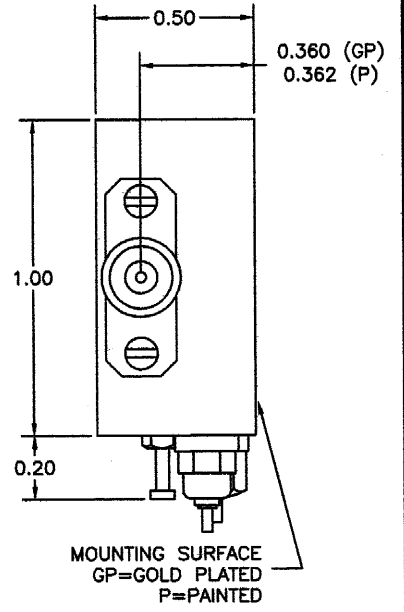
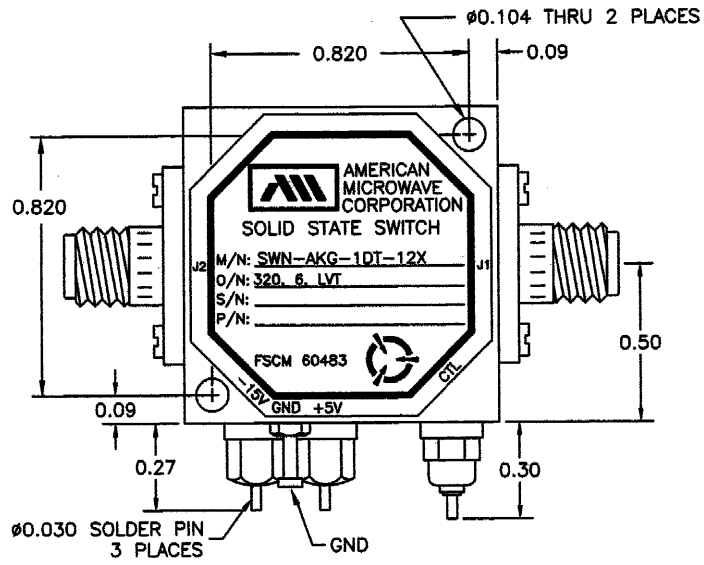
REVISIONS				
ZONE	REV.	DESCRIPTION	DATE	APPROVED
-	-	ORIGINAL JOB # 909161E-2	11/30/99	

DESCRIPTION:

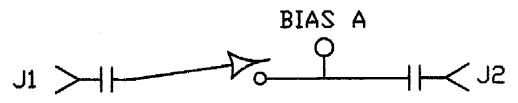
AMC MODEL SWN-AKG-1DT-12X OPTIONS 320, 6, LVT IS A HIGH SPEED LOW VIDEO TRANSIENT NON-REFLECTIVE/ABSORPTIVE SINGLE POLE SINGLE THROW SWITCH MODULE WITH LOW INSERTION LOSS, HIGH ISOLATION AND WITH INTEGRAL TTL DRIVER, DESIGNED FOR 3 GHz TO 20 GHz OPERATION.

SPECIFICATIONS:

- FREQUENCY: 3 GHz TO 20 GHz
- INSERTION LOSS: 3.5 dB MAXIMUM
- ISOLATION: 60 dB MINIMUM
- VSWR: IN/OUT: 2.0:1
- VIDEO TRANSIENT:
 - 300 MHz BW: 400 mV PEAK TO PEAK TYPICAL
 - 20 MHz BW: 30 mV PEAK TO PEAK TYPICAL
- RISE/FALL TIME: ≤ 2 nS
 - (10% RF TO 90% RF)
 - (90% RF TO 10% RF)
- DELAY ON/OFF: 20 nS MAXIMUM, 15 nS TYPICAL
 - (50% TTL TO 90% RF)
 - (50% TTL TO 10% RF)
- POWER SUPPLY: +5V @ 100 mA MAXIMUM
-15V @ 100 mA MAXIMUM
- CONTROL: TTL LOGIC "0"=ON "1"=OFF
- SIZE: 1.00" (L) x 1.00" (W) x 0.50" (H)
- WEIGHT: 1.5 OUNCE TYPICAL



BLOCK DIAGRAM



AT = WITH DRIVER, NON-REFLECTIVE/ABSORPTIVE
 M/N = MANUFACTURER PART NUMBER
 O/N = OPTION NUMBER
 S/N = SERIAL NUMBER
 P/N = PART NUMBER

ENVIRONMENTAL RATINGS

- TEMPERATURE: -55°C TO +85°C (OPERATING)
-65°C TO +125°C (STORAGE)
- HUMIDITY: MIL-STD-202F, METHOD 103B COND. B
- SHOCK: MIL-STD-202F, METHOD 213B COND. B
- VIBRATION: MIL-STD-202F, METHOD 204D COND. B
- ALTITUDE: MIL-STD-202F, METHOD 105C COND. B
- TEMPERATURE CYCLE: MIL-STD-202F, METHOD 107D COND. A

ALL DIMENSIONS ARE IN INCHES
 TOLERANCES:
 X.XX ±0.020
 X.XXX ±0.010

NOTE: THE ABOVE SPECIFICATIONS ARE SUBJECT TO CHANGE OR REVISION

APPROVALS		DATE	AMERICAN MICROWAVE CORPORATION FREDERICK, MARYLAND	
DRAWN WSP & RRA		11/30/99	TITLE PRODUCT FEATURE SWN-AKG-1DT-12X OPTIONS 320, 6, LVT	
CHECKED			SIZE A	FSCM NO. 60483
ISSUED			DWG NO. 100-4876-6	REV. -
SCALE N/S			SHEET 1 of 3	